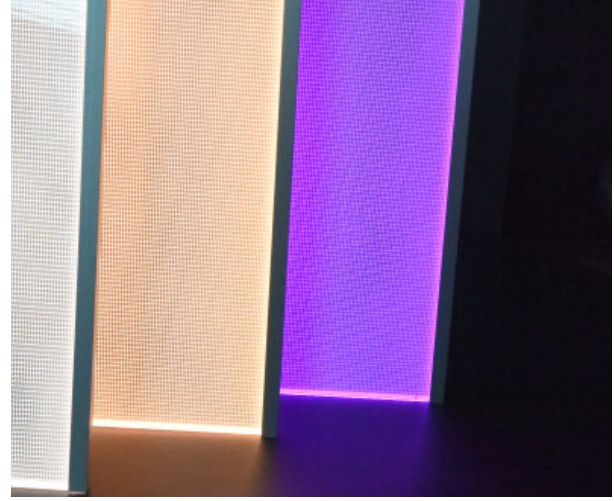


# MOSAIC\_LGP



## FEATURES

- Constant current circuit for steady lumen output over the area.
- Light guided illuminating sheet desirable for back light or indirect light such as shelf, decorative back lighting with size up to 46" x 94"
- IP Rate IP40
- Maximized evenness of CCT and brightness by professional bin management.
- Wide range of CCT options(2700~7000K standard, 1800K ~ 2600K on request), Dual white, RGB
- HCRI 95 option / HCRI 97 (with R9>85) option in wider spectrum
- A short increment for precise fitting
- Bespoke option for CCT, CRI, Watt and product size



## PRODUCT DESCRIPTION CODES / SPECIFICATIONS

# AMS- 40H-1CD-24-D60-1036- SC2L

① ② ③ ④ ⑤ ⑥ ⑦ ⑧ ⑨ ⑩

① NAME ..... ACROSENTEC MOSAIC

② CCT

Normal White 6500K 5600K 4000K	Warm White 3500K 3000K 2700K	Beam Angle 100°
CRI 97, 95		
Normal White 6500K 5600K 4000K	Warm White 3500K 3000K 2700K	Beam Angle 100°
CRI 85		

③ Level of CRI ..... H : CRI 95, Blank : CRI 85

④ LED pitch(inch/mm) ..... Refer to the Dimension

⑤ Input VOLT(DC) ..... 24V

⑥ Location of LED light ..... Blank : single line, D : double lines, Q : 4 lines

⑦ Length of add-on(inch/mm) ..... Refer to the table

⑧ Overall size ..... Custom made

⑨ Feed receptacle ..... S : Single end LW, B : Both ends LW,  
IM, IMF, IM4, IMF4, RM, RMF, RM4, RMF4

⑩ Product type ..... L : L type, C : C type, CB : C type with brackets

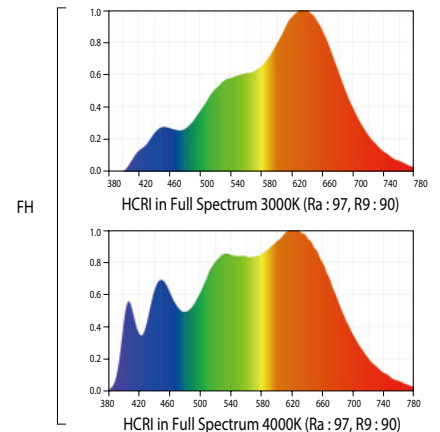
Dimming ..... PWM, DALI, 0-10, DMX

Beam Angle ..... 100°

Operation Temp(°F/°C) ..... Ta : -13~122 / -25~50

Expected Life Hours ..... 60000 Hrs

Mounting Accessory ..... DS, MG, Brackets(with screw), Customized



FH



acrosentec

AMS		AMS-◇(H)-1CD-24-60-100100-SC2 L, C, CB	AMS-◇(H)-1CD-24-60-D100100-SC2 L, C, CB	AMS-◇(H)-1CD-24-60-Q100100-SC2 L, C, CB
CCT (CRI Option)	Normal White	6500K(95, 85), 5600K(95, 85), 4000K(95, 85)		
	Warm White	3500K(95, 85), 3000K(95, 85), 2700K(95, 85)		
Lumen / 3' 3.4", 1MTR (Normal CRI typ 85)	6500K, 5600K	1267	2534	5068
	4000K, 3500K	1224	2448	4896
	3000K	1177	2354	4708
	2700K	1161	2322	4644
Lumen / 3' 3.4", 1MTR (High CRI typ 95)	6500K, 5600K	1019	2038	4076
	4000K, 3500K	984	1968	3936
	3000K	947	1894	3788
	2700K	934	1868	3736
Power Consumption (Watt) 3' 3.4" x 3' 3.4", 1Meter x 1Meter		16.4	32.8	65.6
Power Feed direction		END / REAR		
Temp(°F / °C)	Tc	140 / 60		
Color of Fixture		AL frame : Silver		
Net Wt (lb/g) / 3' 3.4" x 3' 3.4", 1 x 1Meter, Q type		12.3 lbs / 5.6 kg -L type, 16.8 lbs / 7.6 kg -C type, 17.4 lbs / 7.9 kg -CB type		
Feed Accessory		IM, IF / RM, RF / LW		
Max LGP size of a single product (ft/mm)		4' X 8' / 1220 X 2440	4' X 8' / 1220 X 2440	4' X 8' / 1220 X 2440
Ⓞ Add on Length Option ( L, W )(inch/mm)		2.36" / 60	2.36" / 60	2.36" / 60
Total Product Length (inch/mm)		LGP length + 0.63" / 16		

\* Data is subject to change without notice for improvement

AMS		AMS-◇(H)◇(H)-1C0-24-72-100100-SC2C, CB	AMS-◇(H)◇(H)-1C0-24-D72-100100-SC2C, CB	AMS-◇(H)◇(H)-1C0-24-Q72-100100-SC2C, CB
CCT (CRI Option)	Normal White	6500K(95, 85), 5600K(95, 85), 4000K(95, 85)		
	Warm White	3500K(95, 85), 3000K(95, 85), 2700K(95, 85)		
Lumen / 3' 3.4", 1MTR (Normal CRI typ 85)	6500K, 5600K	633 / CCT	1267 / CCT	2534 / CCT
	4000K, 3500K	-	-	-
	3000K	588 / CCT	1177 / CCT	2354 / CCT
	2700K	580 / CCT	1161 / CCT	2322 / CCT
Lumen / 3' 3.4", 1MTR (High CRI typ 95)	6500K, 5600K	509 / CCT	1019 / CCT	2038 / CCT
	4000K, 3500K	-	-	-
	3000K	473 / CCT	947 / CCT	1894 / CCT
	2700K	467 / CCT	934 / CCT	1868 / CCT
Power Consumption (Watt) 3' 3.4" x 3' 3.4", 1Meter x 1Meter		16.4	32.8	65.6
Power Feed direction		END / REAR		
Temp(°F / °C)	Tc	140 / 60		
Color of Fixture		AL frame : Silver		
Net Wt (lb/g) / 3' 3.4" x 3' 3.4", 1 x 1Meter, Q type		6.8 lbs / 7.6 kg -C type, 17.4 lbs / 7.9 kg -CB type		
Feed Accessory		IM4, IF4 / RM4, RF4 / LW		
Max LGP size of a single product (ft/mm)		4' X 8' / 1220 X 2440	4' X 8' / 1220 X 2440	4' X 8' / 1220 X 2440
Ⓞ Add on Length Option ( L, W )(inch/mm)		2.83" / 72	2.83" / 72	2.83" / 72
Total Product Length (inch/mm)		LGP length + 0.63" / 16		

\* Data is subject to change without notice for improvement

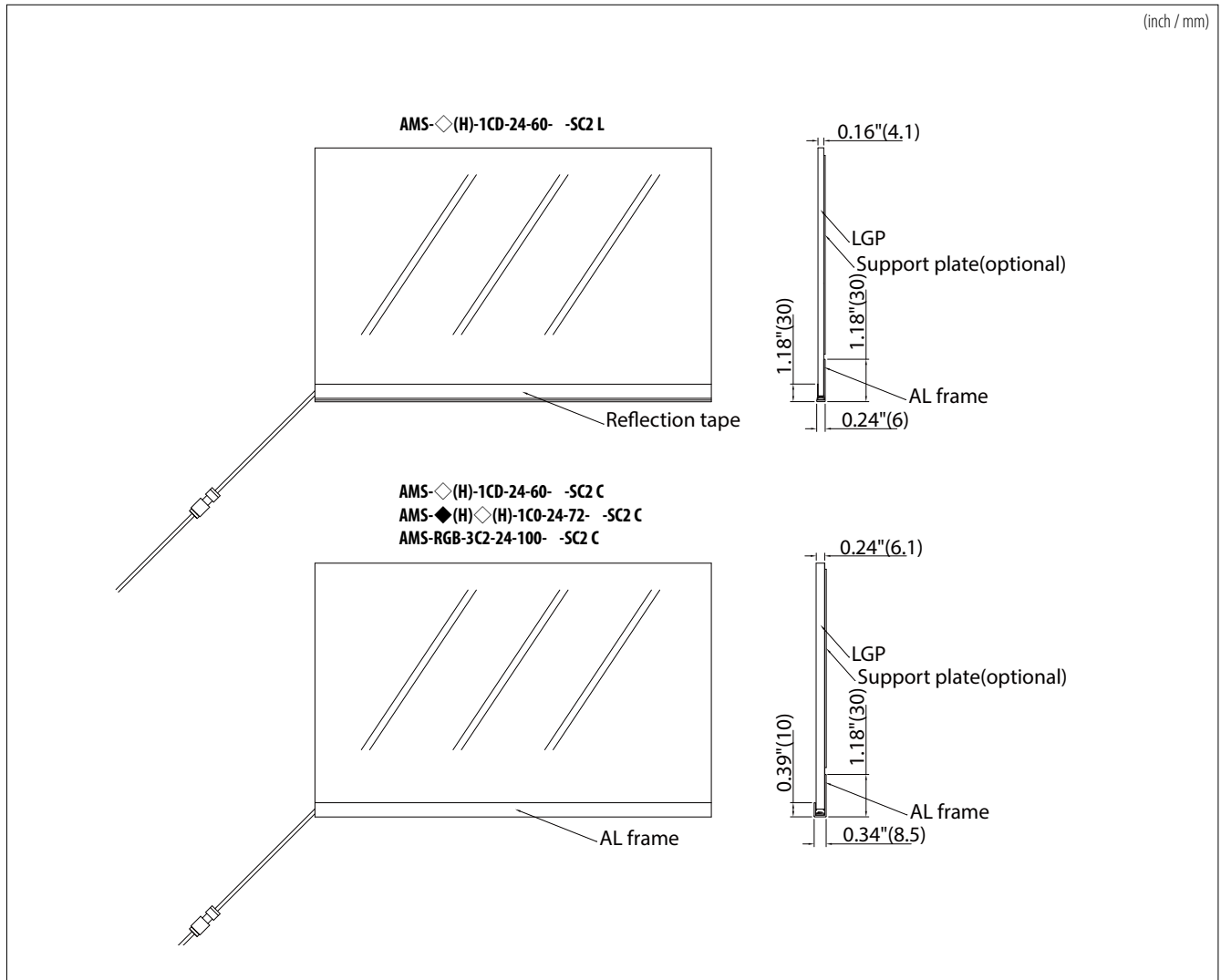
\* Data is subject to change without notice for improvement

AMS		AMS-RGB-3C2-24-100-100100-SC2C, CB	AMS-RGB-3C2-24-D100-100100-SC2C, CB	AMS-RGB-3C2-24-Q100-100100-SC2C, CB
WD (nm)	Red	620		
	Green	520		
	Blue	460		
Lumen	Full RGB	320	640	1280
Power Consumption (Watt) 3' 3.4" x 3' 3.4", 1Meter x 1Meter		16.4	32.8	65.6
Power Feed direction		END / REAR		
Temp(°F / °C)	Tc	140 / 60		
Color of Fixture		AL frame : Silver		
Net Wt (lb/g) / 3' 3.4" x 3' 3.4", 1 x 1Meter, Q type		6.8 lbs / 7.6 kg -C type, 17.4 lbs / 7.9 kg -CB type		
Feed Accessory		IM4, IF4 / RM4, RF4 / LW		
Max LGP size of a single product (ft/mm)		4' X 8' / 1220 X 2440	4' X 8' / 1220 X 2440	4' X 8' / 1220 X 2440
Add on Length Option (L, W)(inch/mm)		3.94" / 100	3.94" / 100	3.94" / 100
Total Product Length (inch/mm)		LGP length + 0.63" / 16		

\* Data is subject to change without notice for improvement

## DIMENSION

(inch / mm)

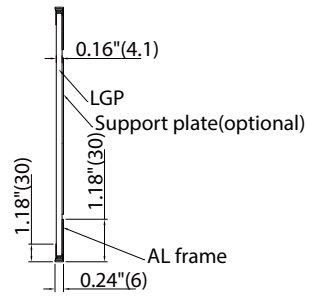
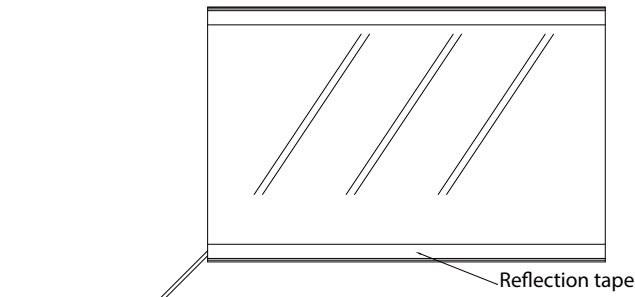


ACROSENTEC

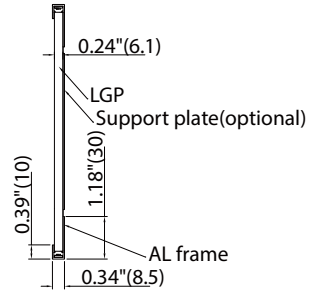
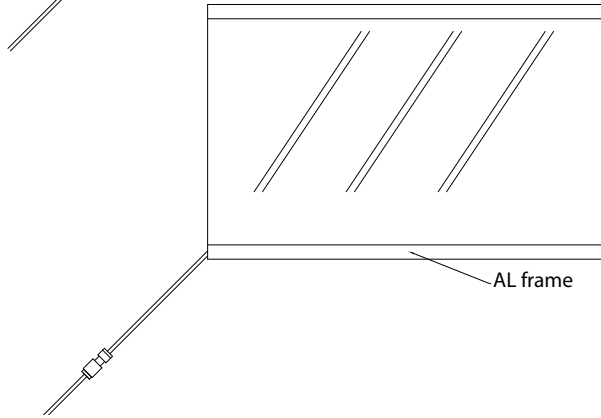
# DIMENSION

(inch / mm)

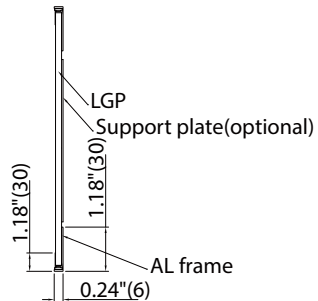
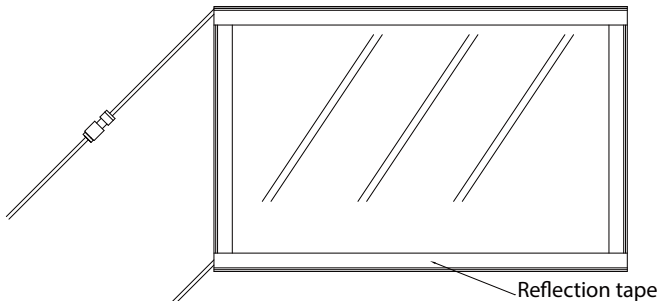
AMS-◇(H)-1CD-24-D60- -SC2 L



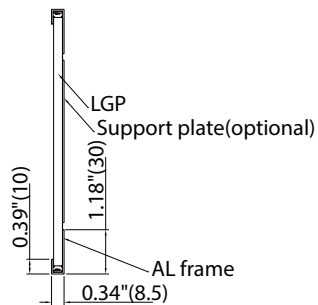
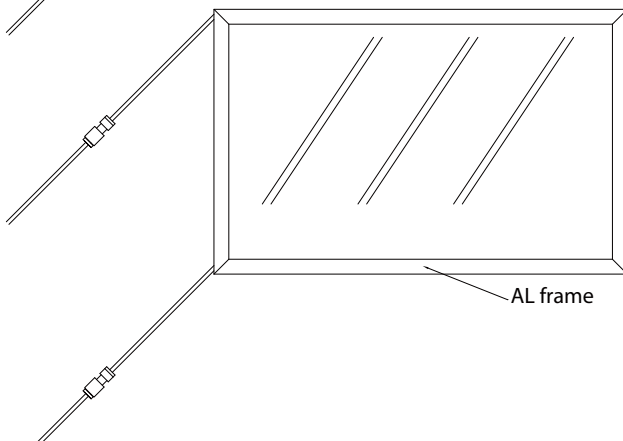
AMS-◇(H)-1CD-24-D60- -SC2 C  
AMS-◆(H)◇(H)-1C0-24-D72- -SC2 C  
AMS-RGB-3C2-24-D100- -SC2 C



AMS-◇(H)-1CD-24-Q60- -SC2 L



AMS-◇(H)-1CD-24-Q60- -SC2 C  
AMS-◆(H)◇(H)-1C0-24-Q72- -SC2 C  
AMS-RGB-3C2-24-Q100- -SC2 C

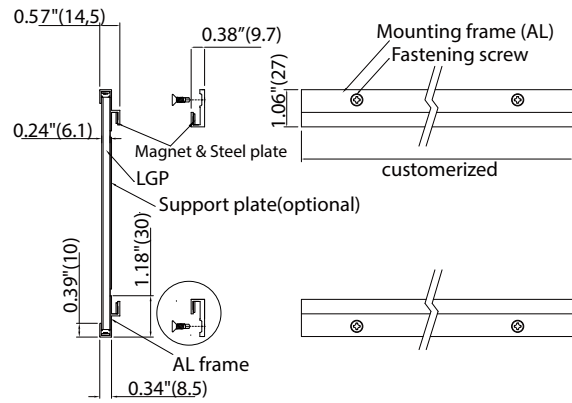
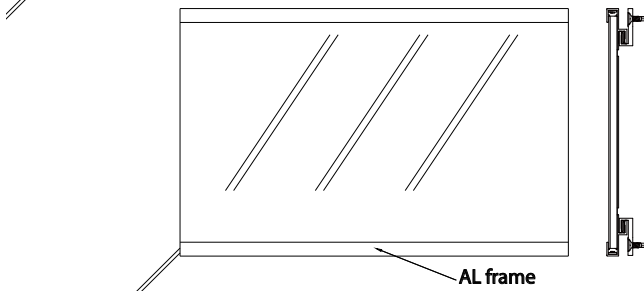
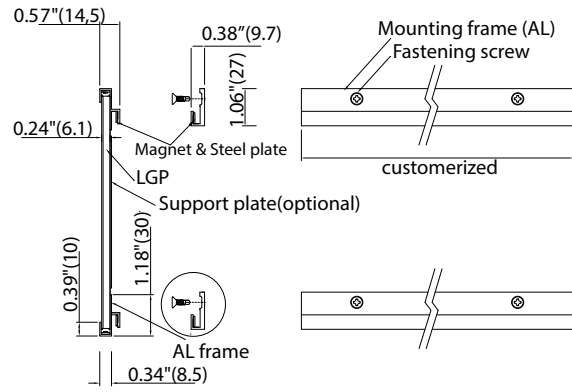
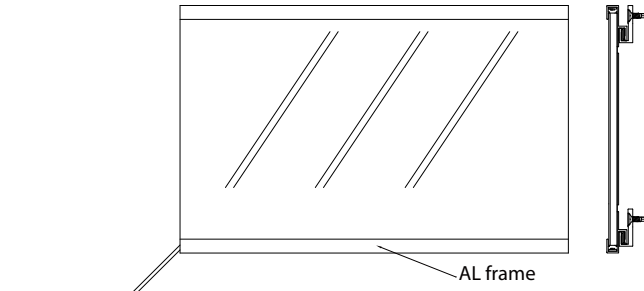


\* Data is subject to change without notice for improvement

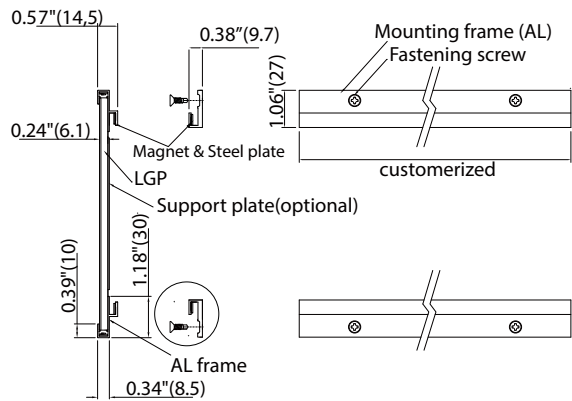
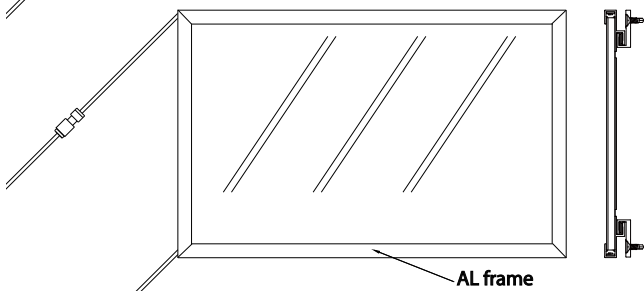
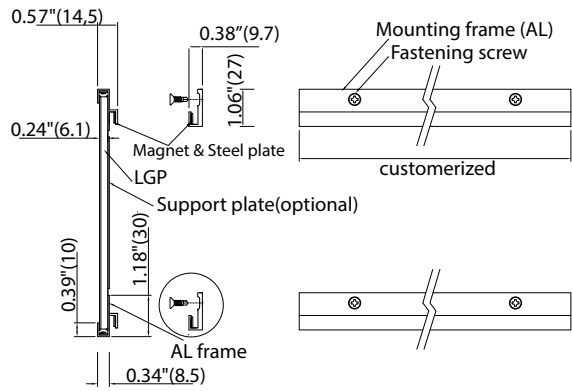
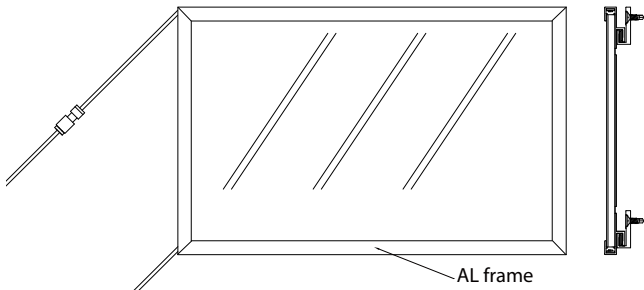
# DIMENSION

(inch / mm)

AMS-◇(H)-1C0-24-D60- -SC2 CB  
 AMS-◆(H)◇(H)-1C0-24-D72- -SC2 CB  
 AMS-RGB-3C2-24-D100- -SC2 CB



AMS-◇(H)-1C0-24-Q60- -SC2 CB  
 AMS-◆(H)◇(H)-1C0-24-Q72- -SC2 CB  
 AMS-RGB-3C2-24-Q100- -SC2 CB



\* Data is subject to change without notice for improvement